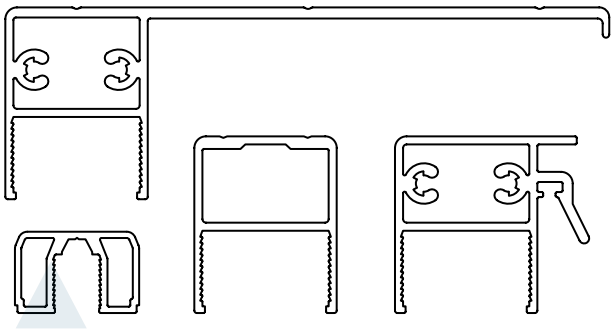
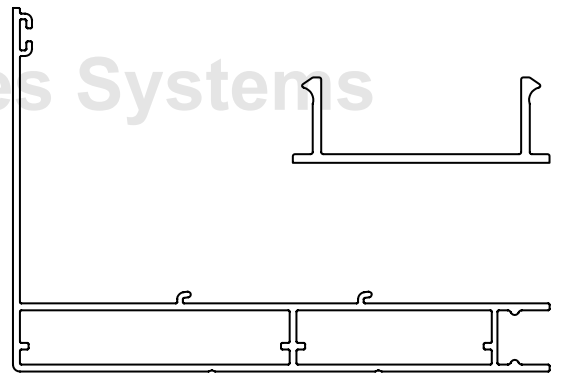
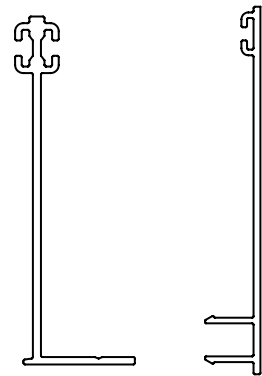
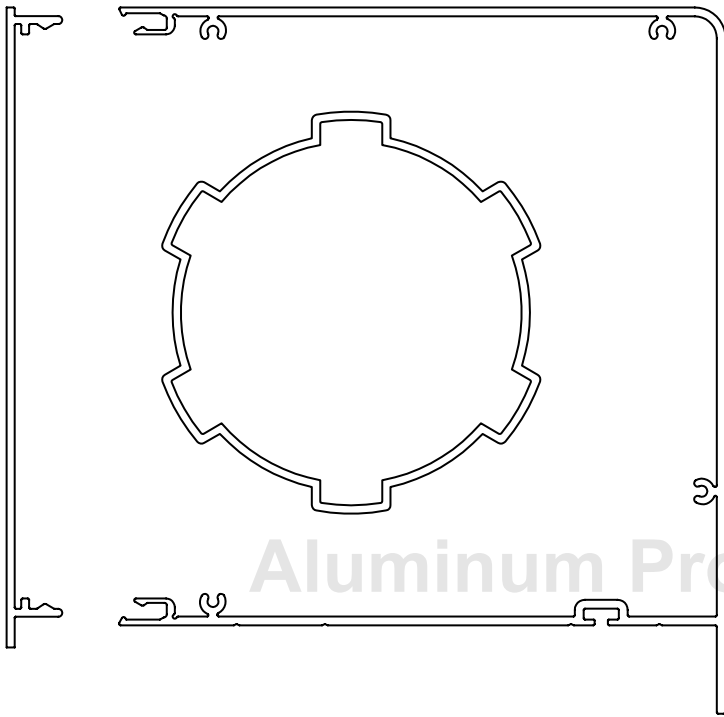




PANOROMA CAM SISTEMI
Panorama Glass Profile Systems







Aluminum Profiles Systems



Tüp Motor Kapak Profili
Tube Engine Cover Profile

Profile Nr : 37271

Weight kg/m: 0,847
(12,6 x 145 x 1,8mm)

Tüp Motor Profili
Tube Engine Profile

Profile Nr : 37272

Weight kg/m: 2,602
(137,4 x 160 x 2mm)



Ray Profili
Rail Profile

Profile Nr : 32267

Weight kg/m: 1,624
(84 x 124 x 1,6mm)



Alt Baza Profili
Lower Base Profile

Profile Nr : 37266

Weight kg/m: 1,452
(15 x 127,1 x 43 x 1,5mm)



Ray İç Tırnak Profili
Ray Inner Nail Profile

Profile Nr : 37268

Weight kg/m: 0,464
(21,96 x 68,26 x 1,6mm)



Ray Dış Tırnak Profili
Ray External Nail Profile

Profile Nr : 37269

Weight kg/m: 0,475
(12,79 x 84 x 1,6mm)



Ray Kapak Profili
Rail Cover Profile

Profile Nr : 37270

Weight kg/m: 0,475
(12,9 x 38,8 x 1,3mm)



Tüp Motor Borusu
Tube Motor Profile

Profile Nr : 37115

Weight kg/m: 1
(72,3 x 2mm)



8mm Adaptör
8mm

Profile Nr : 37281

Weight kg/m: 0,538
(28,2 x 35 x 2,5mm)



24mm Dikme ve Alt Profili
24mm Sewing and Bottom Profile

Profile Nr : 37263

Weight kg/m: 0,538
(28,2 x 35 x 2,5mm)



24mm Çekici Profili
24mm Attractive Profile

Profile Nr : 37264

Weight kg/m: 0,782
(38,45 x 35 x 2,5mm)



24mm Cam Üst Profili
24mm Glass Above Profile

Profile Nr : 37265

Weight kg/m: 1,068
(39 x 120,4 x 1,6mm)



Tüp Motor Kapağı Lazer Parçası
Tube Engine Cover Laser Part

Proforma Nr : GYT-001

used : 2 pieces



Alt Baza Profili Parçası
Sub - Base And Side Profile Connection Part

Proforma Nr : GYT-002

used : 2 pieces



Köşe Kapak
Plastic Side Cover

Proforma Nr : GYT-003

used : 2 pieces



Zincir Dişi
Sprocket

Proforma Nr : GYT-004

used : 2 pieces



Zincir
Chain

Proforma Nr : GYT-005

used : 5 Metre



Zincir Bağlantı Aparatı
Chain Connection

Proforma Nr : GYT-006

used : 2 pieces



Köşe Takozu
Glass Corner Connection

Proforma Nr : GYT-007

used : 12 pieces



Boru Başı Takımı
Engine Pipe Set

Proforma Nr : GYT-008
used : 1 pieces



Kayışlı Sprocket

Proforma Nr : GYT-009
used : 4 pieces



Triger Kayışı
Belt For Guillotine

Proforma Nr : GYT-010
1 Top : 100 mt.
1 Roll : 100 mt.



Motor Aparatı
Engine and Pipe Connection Parts

Proforma Nr : GYT-011
used : 1 pieces



Küçük EPDM
Thin Gasket

Proforma Nr : GYT-012

1 Top : 300 mt.
1 Roll : 300 mt.



Büyük EPDM
Thick Gasket

Proforma Nr : GYT-013

1 Top : 75 mt.
1 Roll : 75 mt.



Kıl Fital
Strip Brush

Proforma Nr : GYT-014

1 Top : 250 mt.
1 Roll : 250 mt.



Vida Grubu
Screw Set

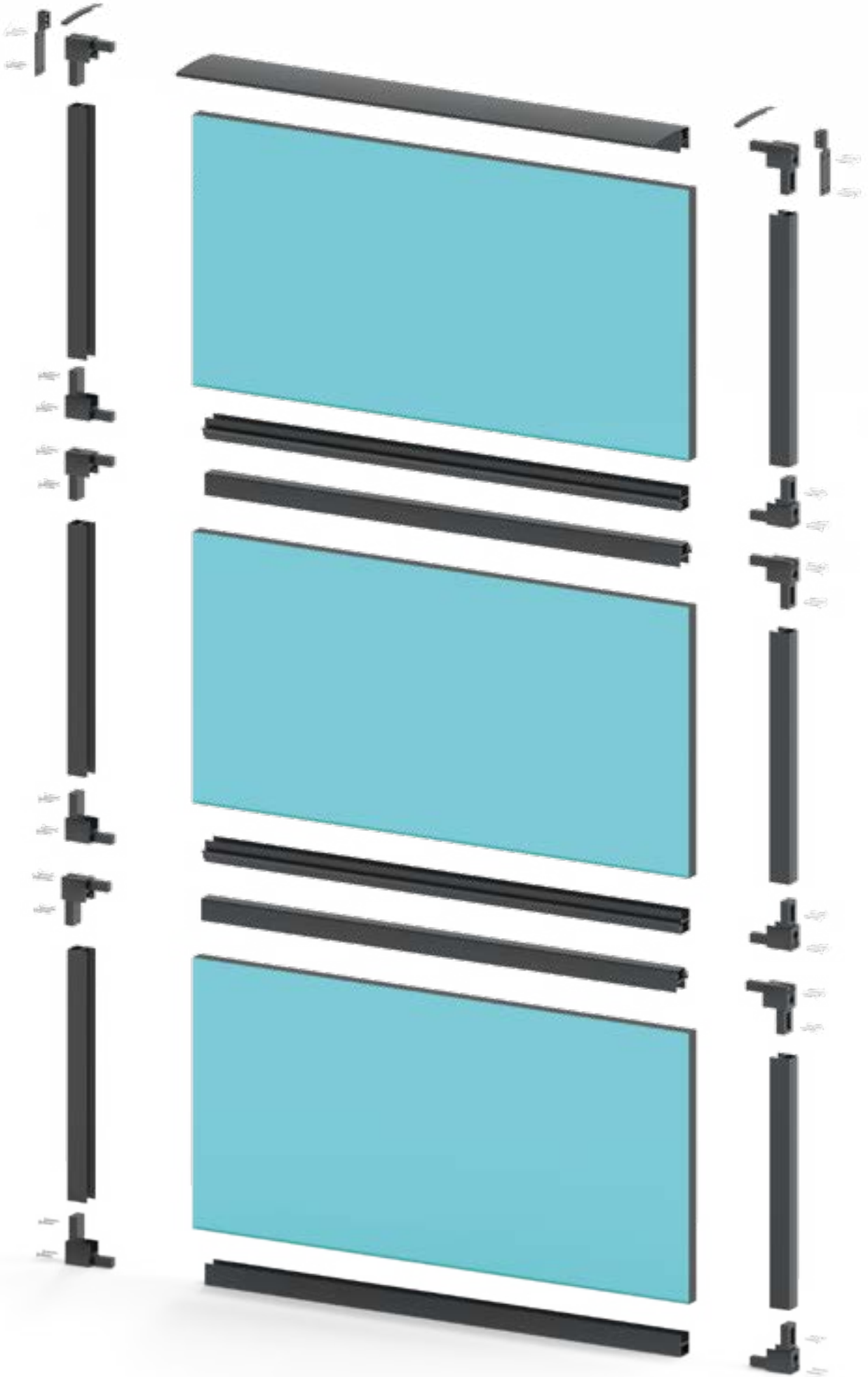
Proforma Nr : GYT-015

used : 1 set





PANOROMA CAM MONTAJ / PARANOMA GLASS MONTAGE





İletişim / Contact

Mobile&Whatsapp: +90 545 894 77 22

E-Mail: export@awning-systems.com

